

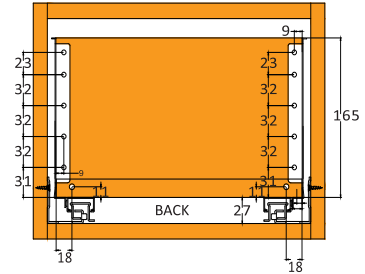
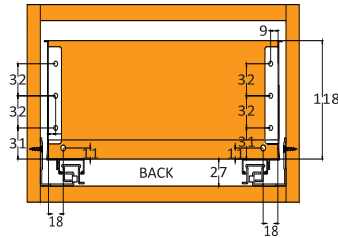
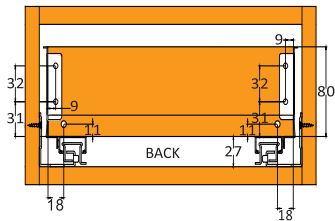
For Undermount Slide 16mm

Height 90

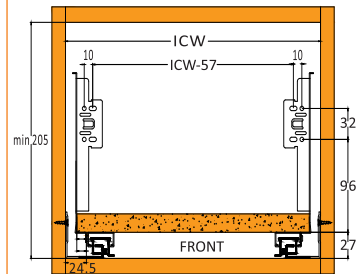
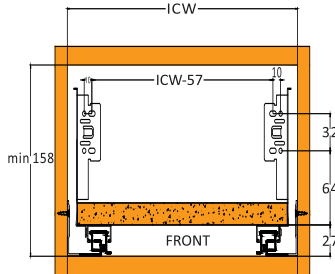
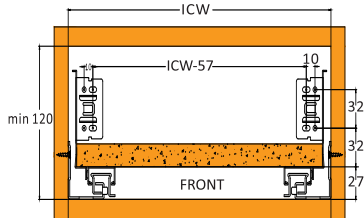
Height 128

Height 175

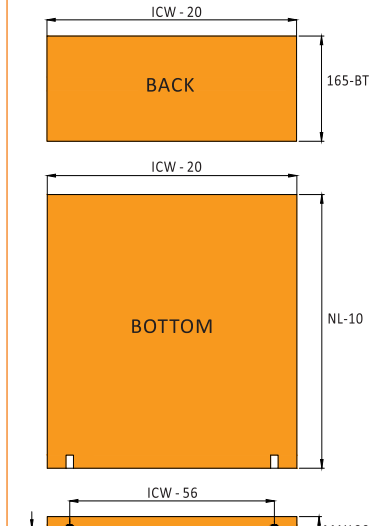
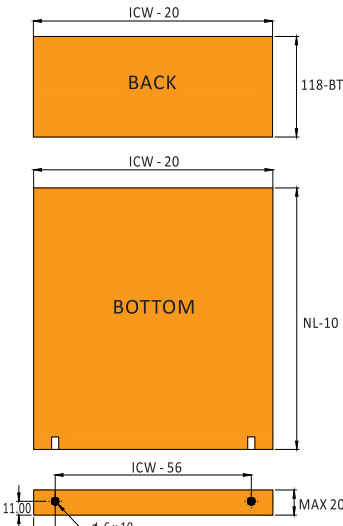
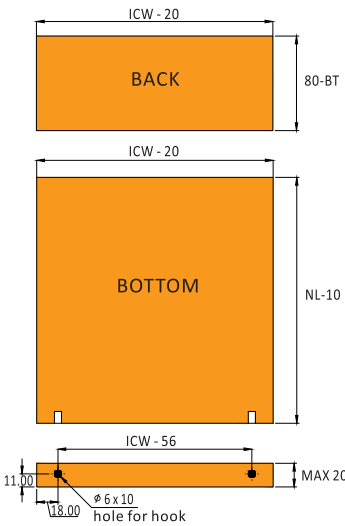
Back Installation Dimensions



Front Installation Dimensions

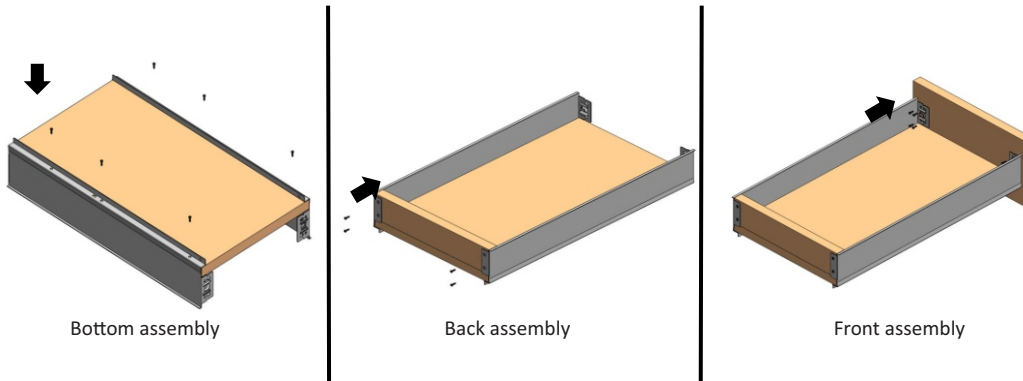


Cutting Dimensions for Back & Bottom Panel

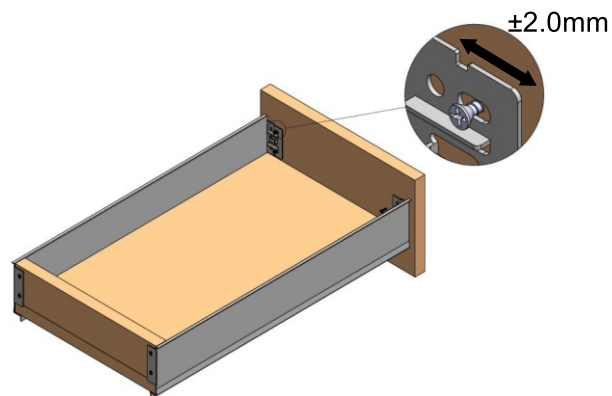


*NL = Nominal Length
 *BT = Board Thickness
 *ICW = Internal Cabinet Width

Panel assembly



Adjustment Direction & Tolerance



Cover Cap Assembly & Removal

